

GSFD Soft Close Folding Door System



Door Width	380-460mm
Door Height	Max. 2600mm
Door Thickness	18-30mm
Door Weight	Max. 8kg (Per door) * ¹
Door Type	Bi-Folding Doors (Overlay)

*¹ Please prioritize door weight when selecting doors

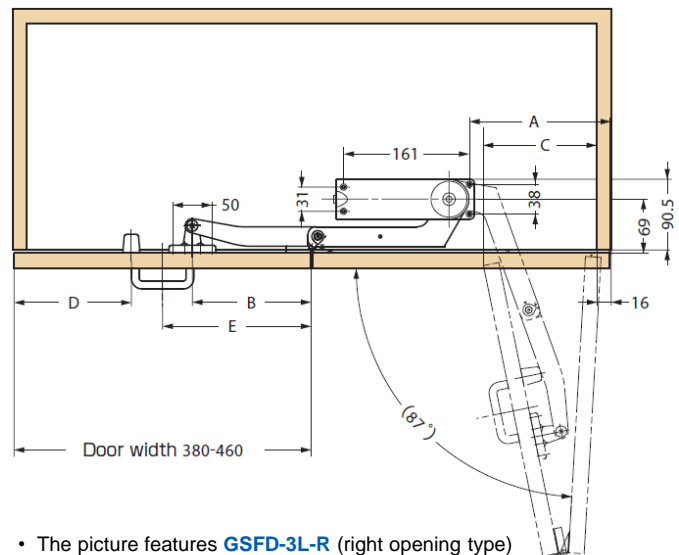
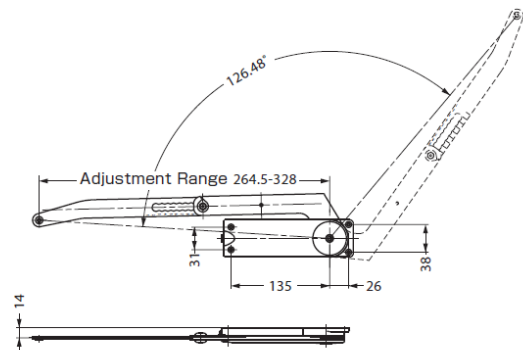
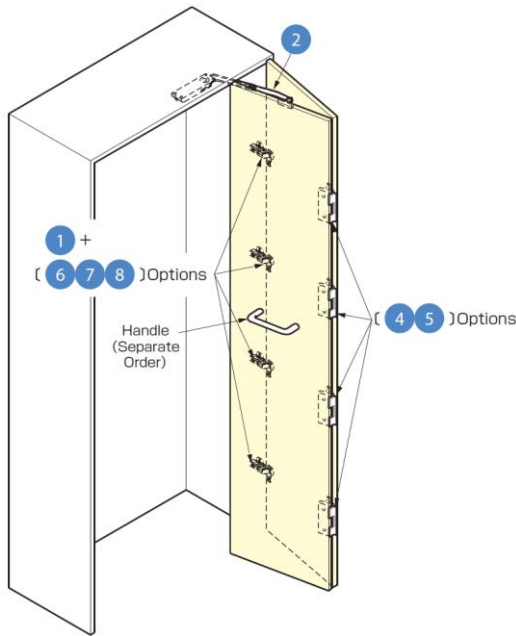
No guide rail on top or bottom, outfitted with soft-close mechanism

Features

- When door is within a certain range, the door will automatically close itself due to its built-in mechanism
- No rail on top or bottom makes installation easy
- Door can be adjusted after installation because of concealed hinges

Notes

- For the top and bottom concealed hinges, please place them 100 mm from the edge (place the middle hinge equidistance from the others)
- The bi-fold door hinge should be evenly placed depending on the doors height
- If you are using a hinge besides the **GH230**, please contact our sales representatives for more information

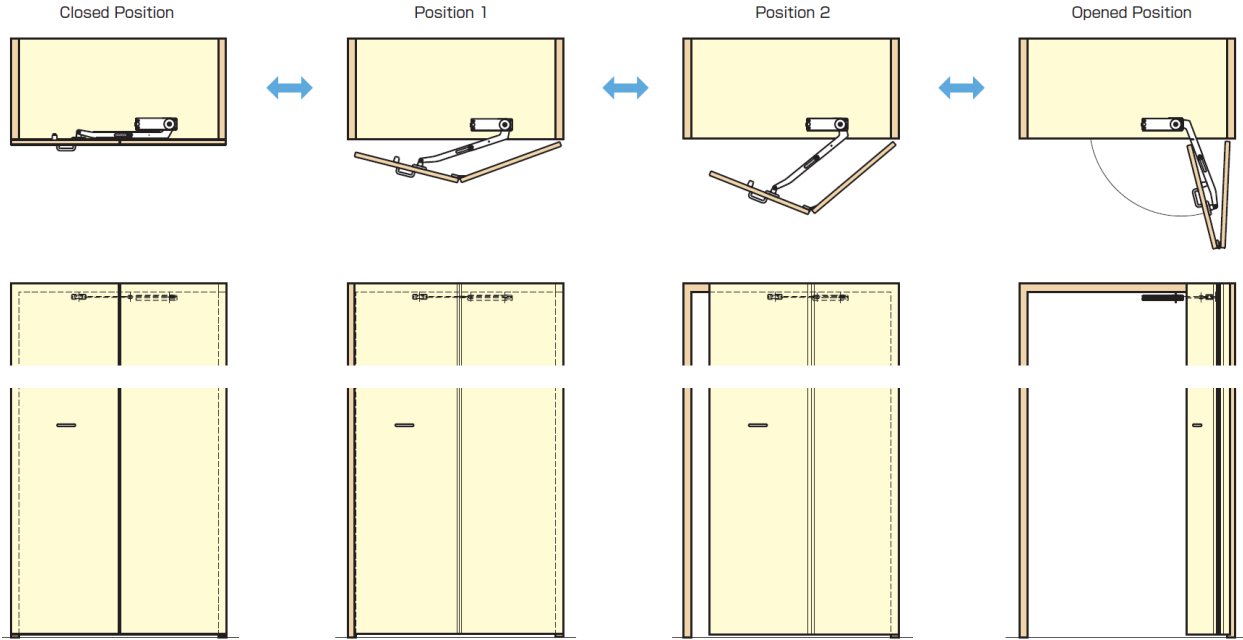


*² Install the handle between the bi-fold door hinge and the position specified in column E (below)

Door Width	Available Range	Adjustable Position	A	B	C	D	E
380	375-385	1	179.5	152	(145)	(150)	(190)
390	385-395	2	184.5	155	(150)	(155)	(195)
400	395-405	3	189.5	158	(154)	(160)	(200)
410	405-415	4	194.5	161	(158)	(165)	(205)
420	415-425	5	199.5	164	(162)	(170)	(210)
430	425-435	6	204.5	167	(168)	(170)	(215)
440	435-445	7	209.5	170	(172)	(175)	(220)
450	445-455	8	214.5	173	(177)	(180)	(225)
460	455-465	9	219.5	176	(181)	(180)	(230)

- The picture features **GSFD-3L-R** (right opening type)
- The installation above is for a half overlay hinge
- The above installation can be used for a full overlay hinge
- For use with an inset hinge, please contact [Gripwell](http://www.gripwell.com.sg) for more information.

Door Movement



How to order the Soft-Close Folding Door System

When ordering..... **Mounting Plate** + **Body / Bi-Fold Door Hinge / Hinge**

Mounting Plate

Required for every order. Please refer to the table below for number of hinges required.

No.	Item Code	Part	Dimensions	Finish
1	G230-P4W-32T	Mounting Plate		<ul style="list-style-type: none"> Material: Steel Finish: Nickel

Body - Bi-Fold Door Hinge - Hinge

Please read the following and confirm which parts are necessary for installation. Select 2 or 3 based on the opening direction of the door. Choose between 6 and 8 bi-fold door hinges. Choose between 6, 7 and 8 concealed hinges depending on inset or overlay. Use the list on the bottom left hand of this page to find the number of hinges required for installation.

No.	Type	Item Code	Parts	Dimension	Finish
2	Right Open Type	GSFD-3L-R	Body		<ul style="list-style-type: none"> Main materials: ABS Resin Steel Finish/Color: Nickel Light Gray
3	Left Open Type	GSFD-3L-L			<ul style="list-style-type: none"> Main materials: ABS Resin Steel Finish/Color: Nickel Light Gray
4	Nickel	GCH-75NI	Bi-Fold Door Hinge		<ul style="list-style-type: none"> Material: Body: ZDC Plastic: Polyamide(PA) / Polyacetyl Finish: Body: Nickel Plastic: Brown
5	Bronze	GCH-75GB			<ul style="list-style-type: none"> Material: Body: ZDC Plastic: Polyamide(PA) / Polyacetyl Finish: Body: Bronze Plastic: Brown
6	Overlay	GH230-26/16T	Concealed Hinge		<ul style="list-style-type: none"> Material: Steel Finish: Nickel
7		GH230-26/26T	Concealed Hinge		
8		GH230-26/0T	Concealed Hinge		

Required number of concealed hinges 6, 7, 8, and bi-fold door hinges 4, 5 for installation.

Door Height	Bi-Fold Door Hinge 4, 5	Hinge 6, 7, 8	Mounting Plate 1
500mm or less	2 pcs.	2 pcs.	2 pcs.
500-1000mm	2 pcs.	3 pcs.	3 pcs.
1000-1500mm	3 pcs.	4 pcs.	4 pcs.
1500-2000mm	4 pcs.	5 pcs.	5 pcs.
2000-2600mm	4 pcs.	6 pcs.	6 pcs.